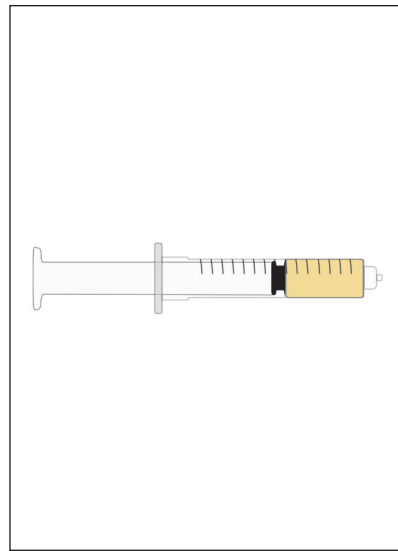


9. Invert the device and withdraw the serum through the filter.



10. The serum is ready for use.



**DFU-0275-3-SUB**

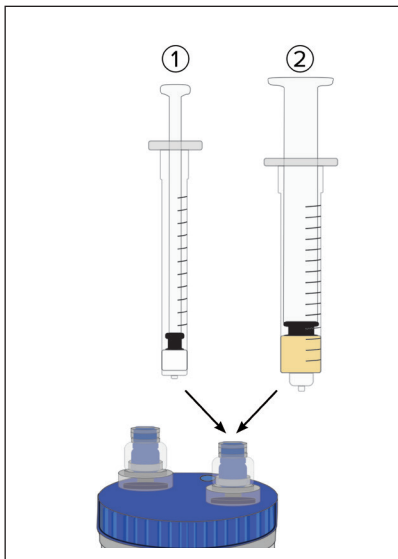
Rev. 0 01/2020

For Indications and other information,  
please refer to DFU-0265-XX.

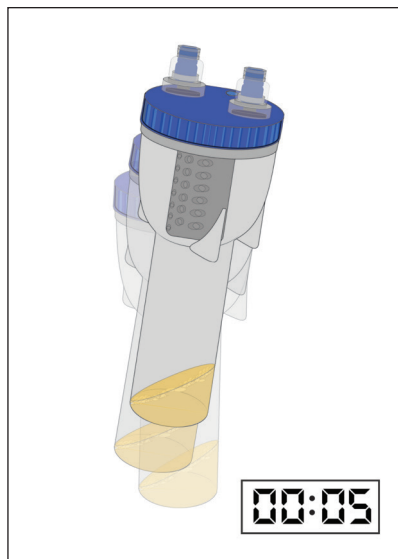
**Thrombinator™ System for use with Arthrex PRP  
Systems (Arthrex Angel® concentrated Platelet  
Rich Plasma (cPRP) System or Arthrex Double Syringe  
(ACP) System)**

 **Arthrex, Inc.**   
1370 Creekside Blvd. 2797  
Naples, FL 34108-1945 • USA  
Toll free: 1-(800) 934-4404  
[www.arthrex.com](http://www.arthrex.com)

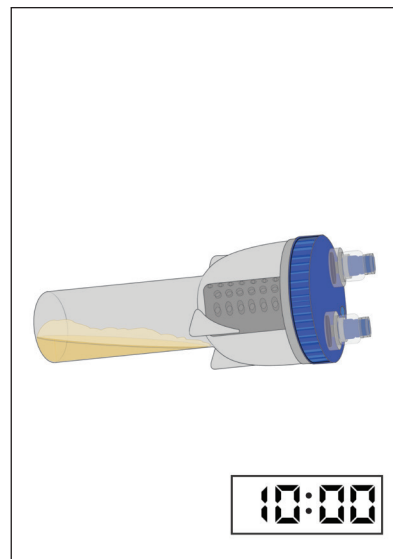
 **Arthrex GmbH**  
Erwin-Hielscher-Strasse 9  
81249 München, Germany  
Tel: +49 89 909005-0  
[www.arthrex.de](http://www.arthrex.de)



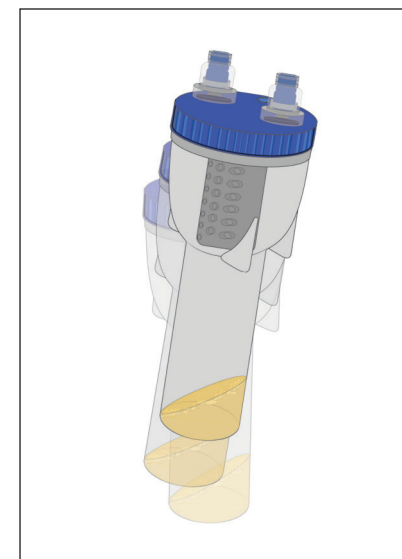
1. Add 0.1 mL of  $\text{CaCl}_2$  + 4 mL of autologous blood fraction.



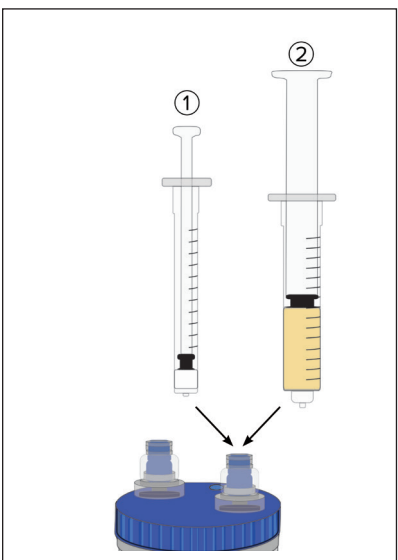
2. Mix the device for 5 seconds.



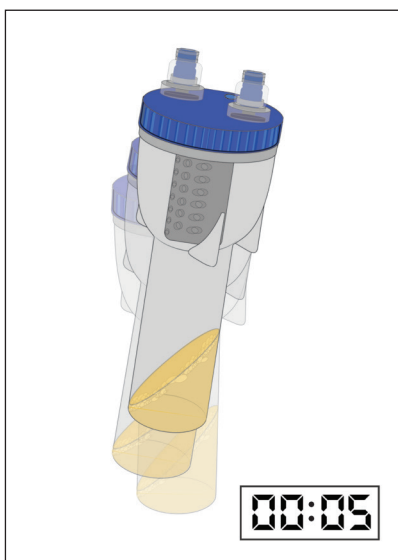
3. Place flat and wait a minimum of 10 minutes or until signs of gelling occur.



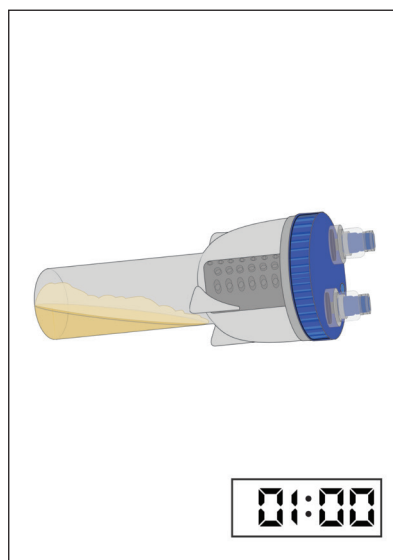
4. Shake the device to break the clot.



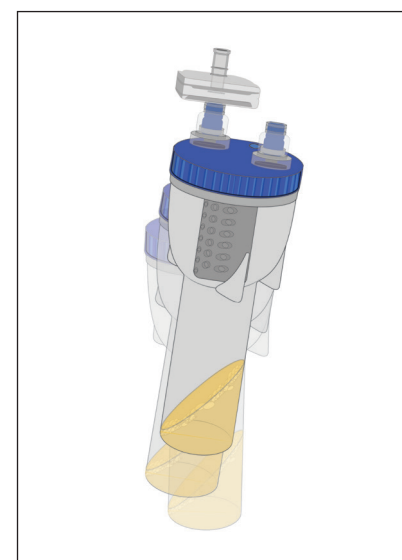
5. Add 0.2 mL of  $\text{CaCl}_2$  + 8 mL of autologous blood fraction.



6. Mix the device for 5 seconds.



7. Place flat and wait 1 minute.



8. Shake the device to break the clot and place the filter on the withdraw port.